



20 20 18

$\varnothing 9,9$
 $\varnothing 6,9$
18

1.

2. $\varnothing 6,9$

18 43 60 6 11,1

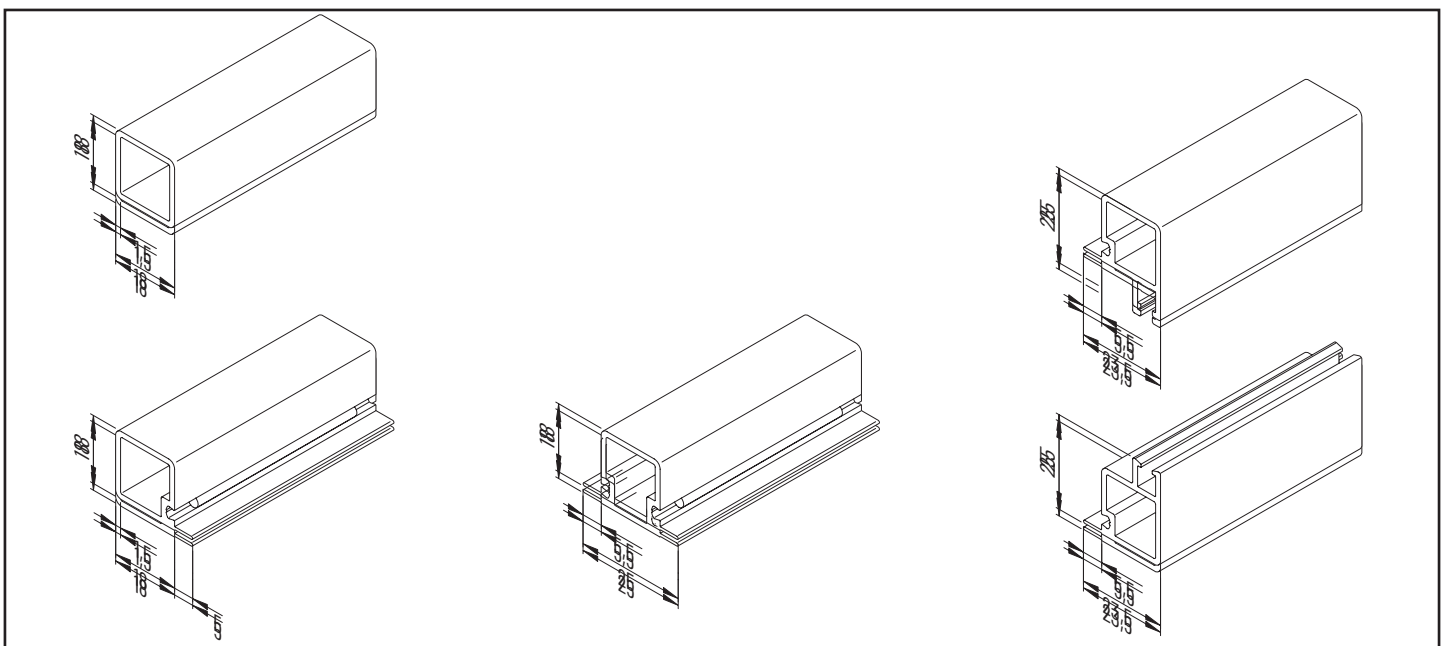
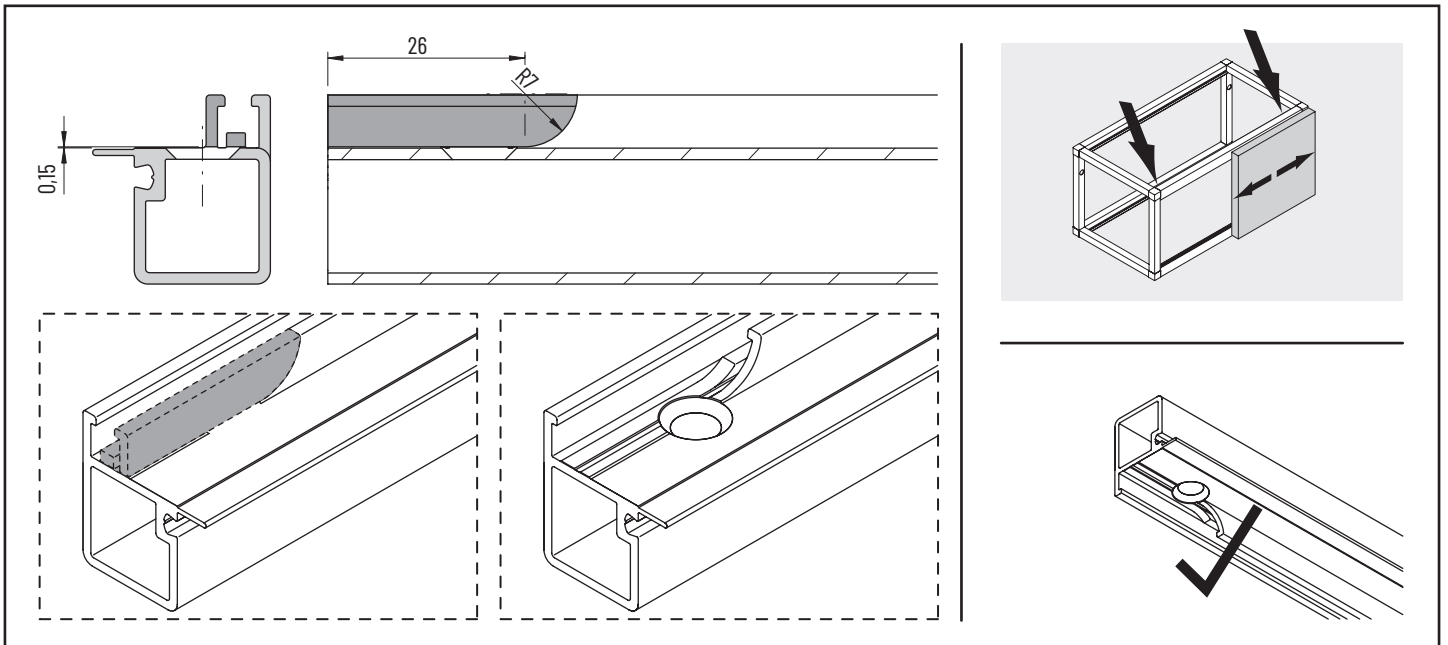
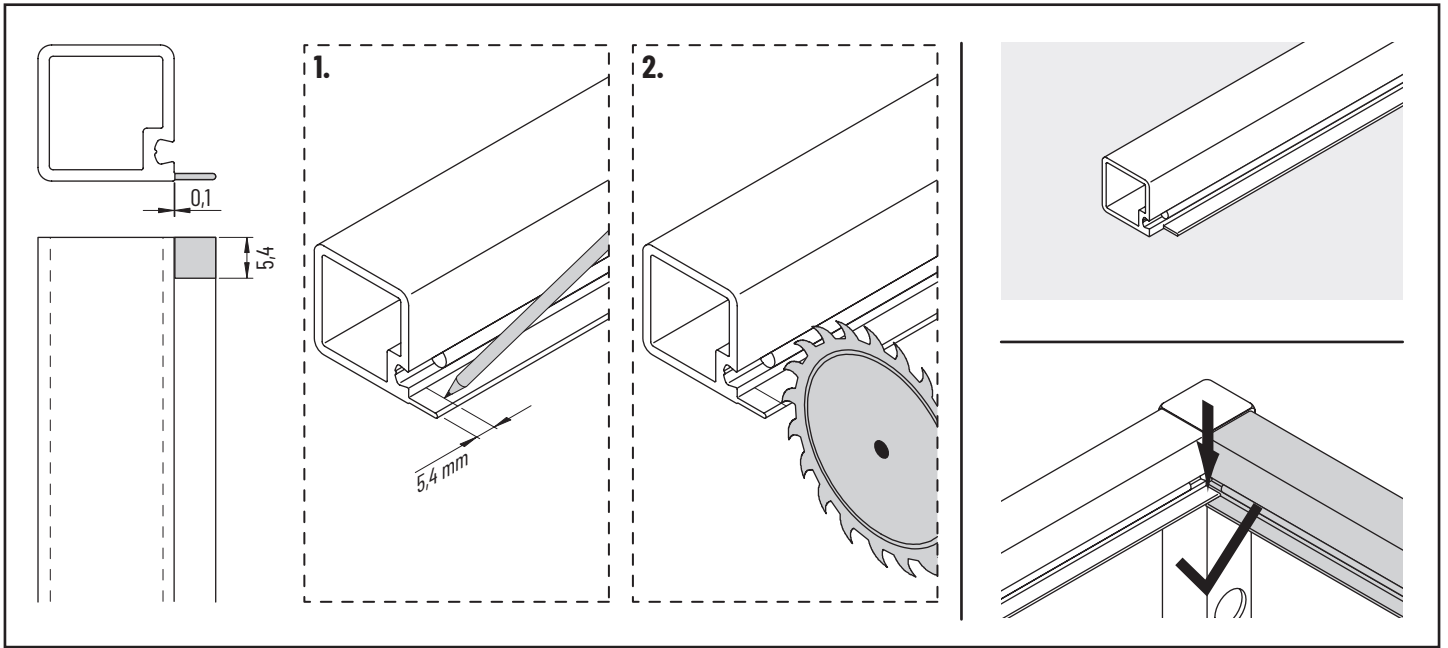
1.

2. $\varnothing 6$
 $\varnothing 11,1$

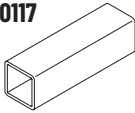
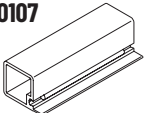
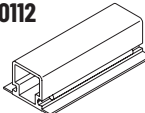
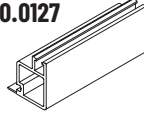
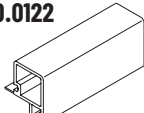
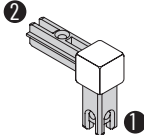
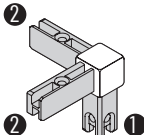
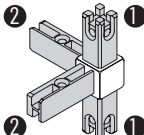
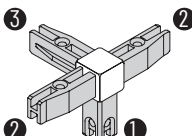
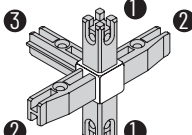
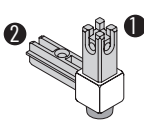
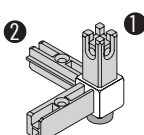
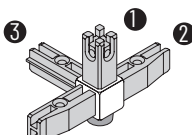
18 44 11,9

1.

2. $\varnothing 11,9$





	320.0115 320.0117 	320.0105 320.0107 	320.0110 320.0112 	320.0125 320.0127 	320.0120 320.0122 
320.0130 320.0132 	① ②	②	②	②	②
320.0135 320.0137 	① ②	②		②	②
320.0140 320.0142 	① ②	②		②	②
320.0145 320.0147 	① ② ③	② ③	③	② ③	② ③
320.0150 320.0152 	① ② ③	② ③	③	② ③	② ③
320.0153 320.0154 	① ②	②	②	②	②
320.0151 320.0156 	① ②	②		②	②
320.0157 320.0158 	① ② ③	② ③	③	② ③	② ③